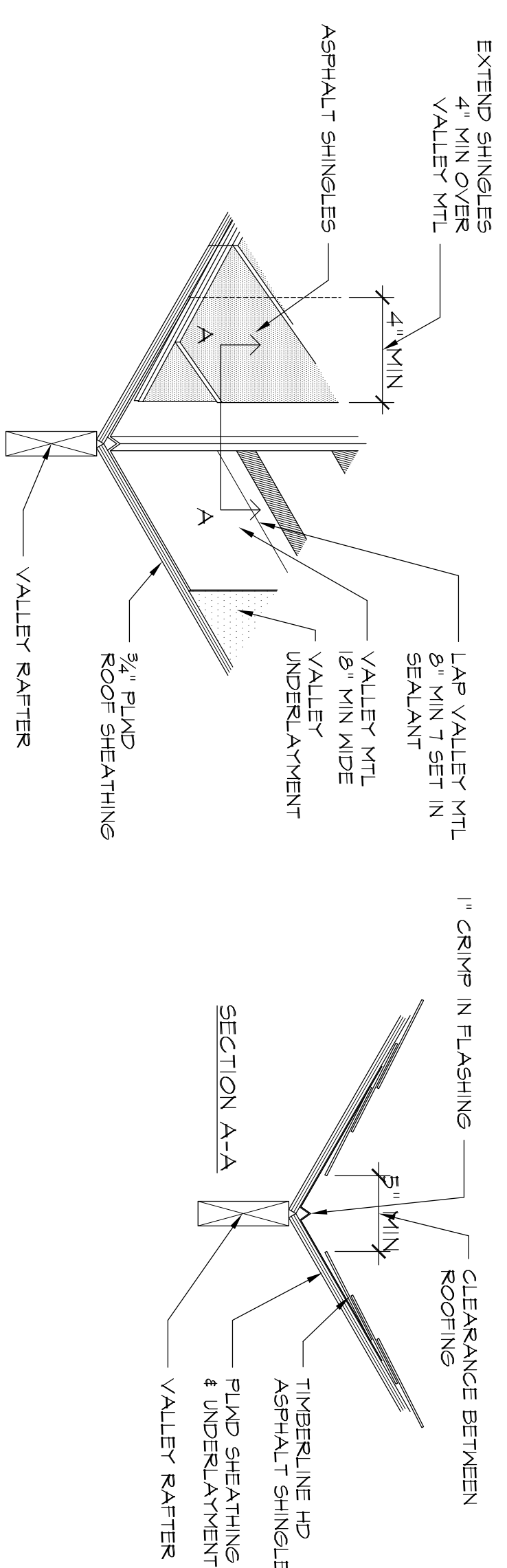
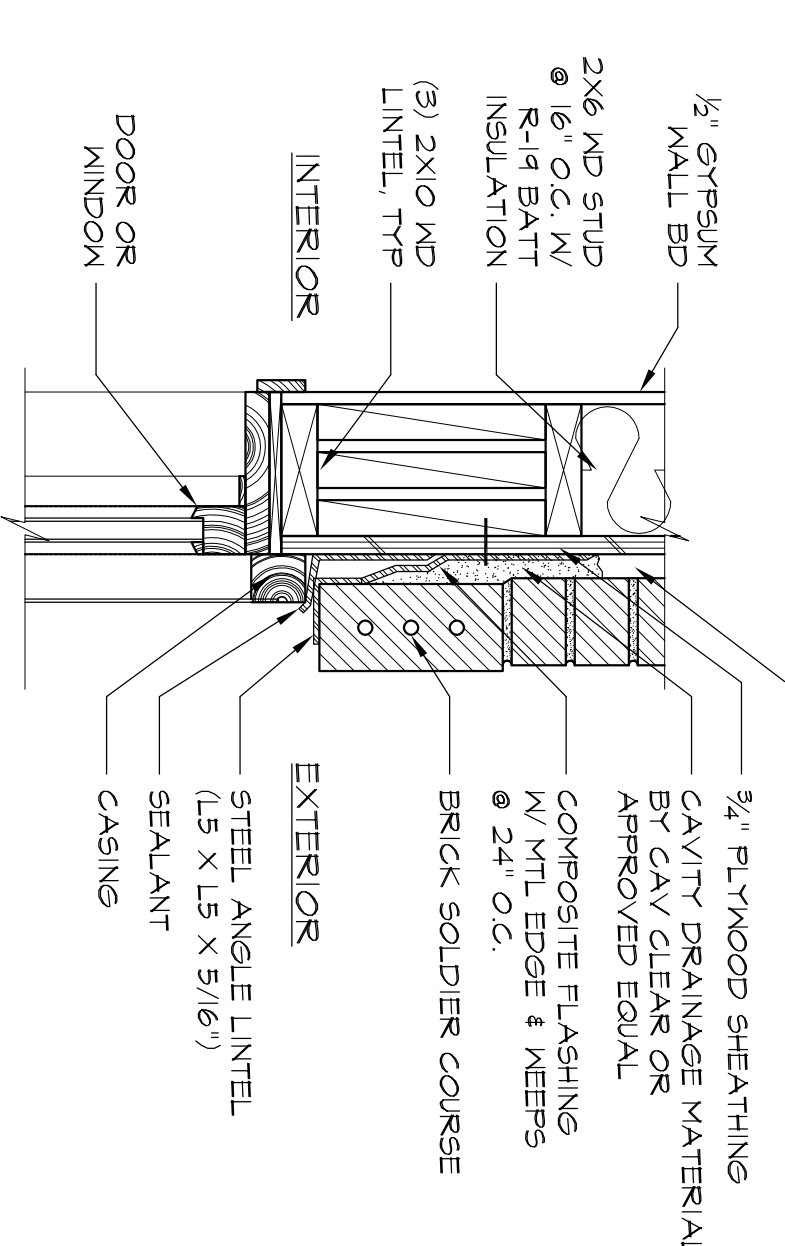


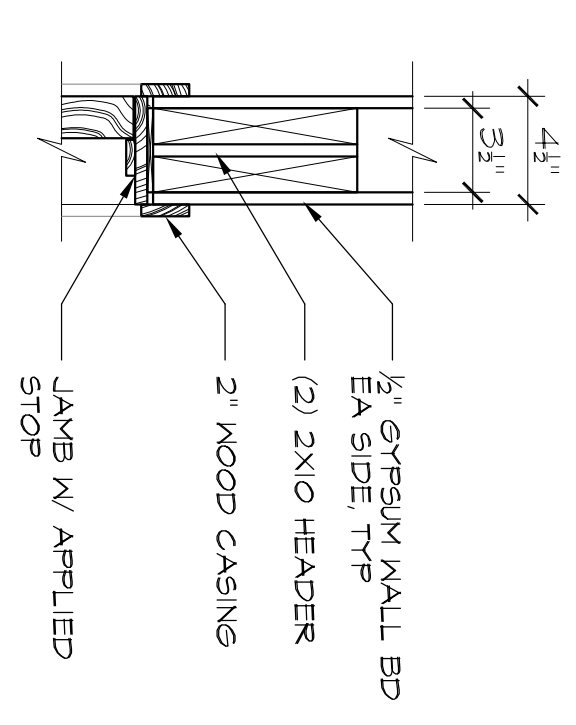
1 VESTIBULE WALL DETAIL  
SCALE: 1/12" = 1'-0"



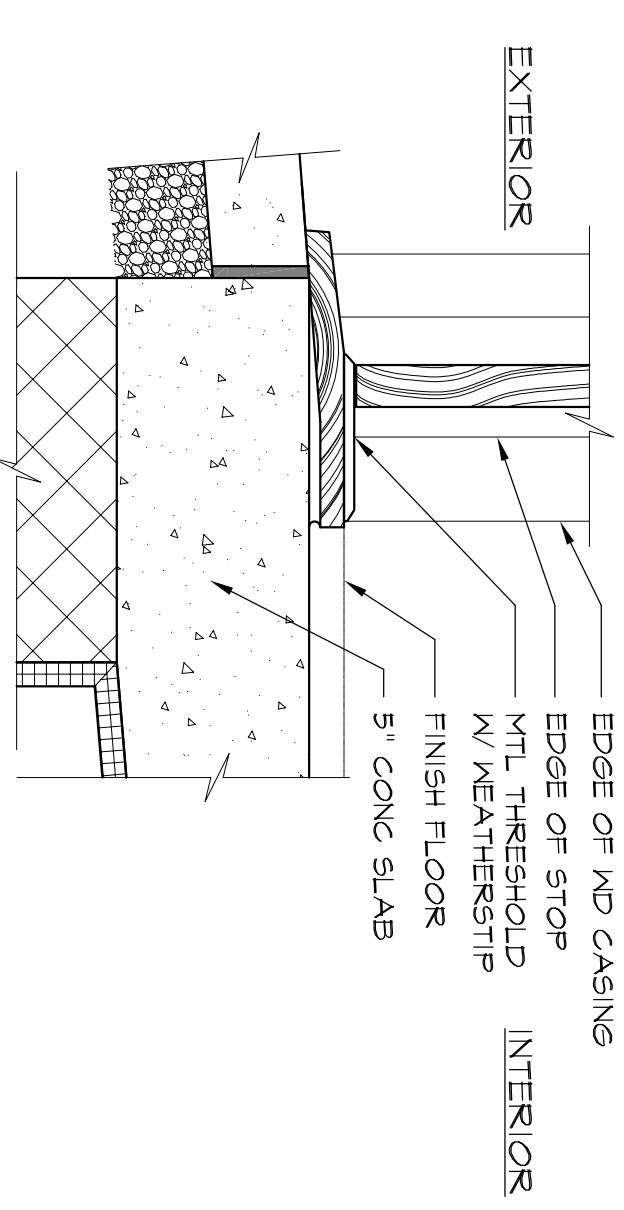
3 VALLEY FLASHING DETAIL  
SCALE: 1/12" = 1'-0"



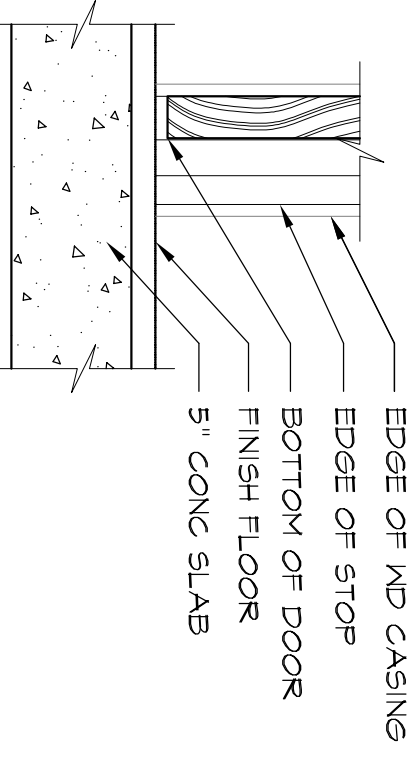
H1 EXTERIOR WINDOW / DOOR HEAD  
SCALE: 1/12" = 1'-0"



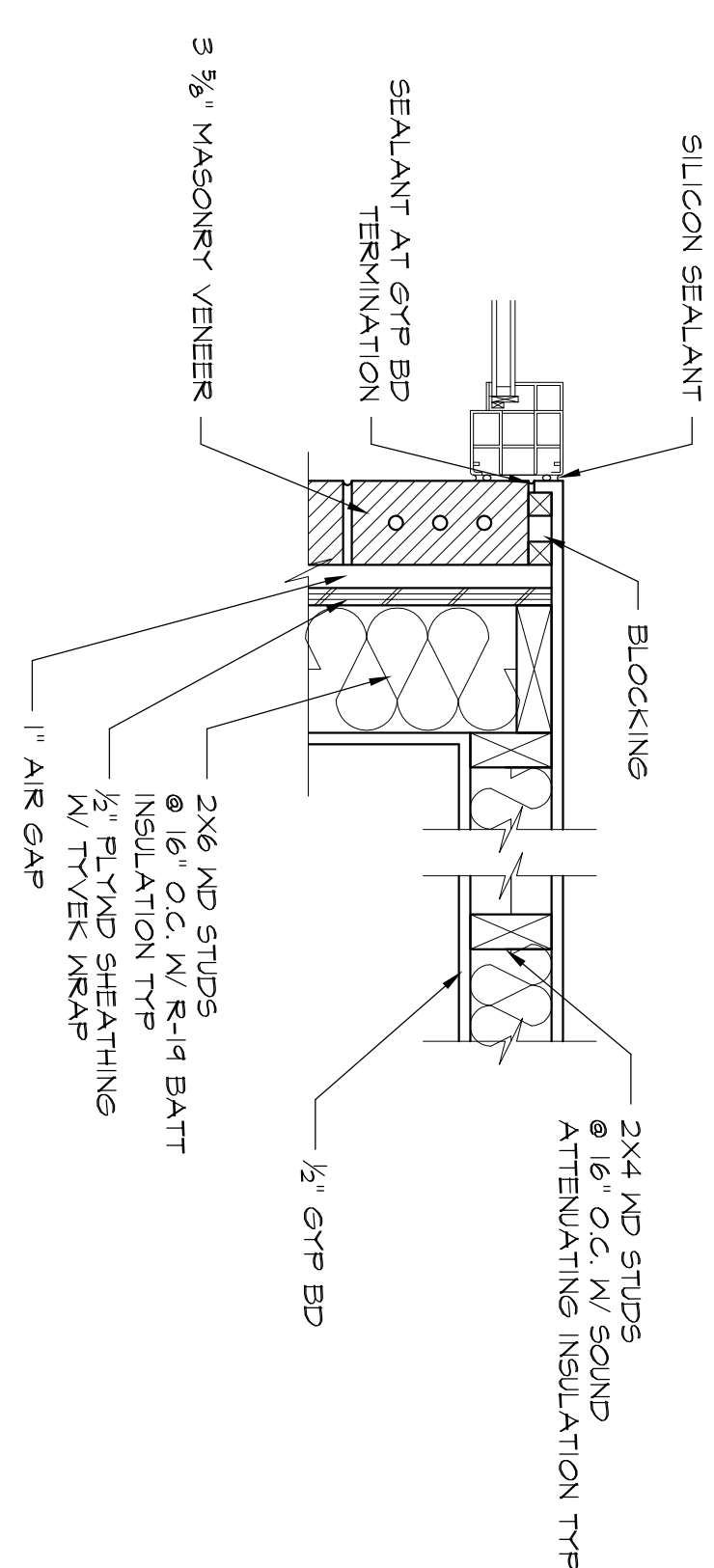
H2 INTERIOR DOOR HEAD  
SCALE: 1/12" = 1'-0"



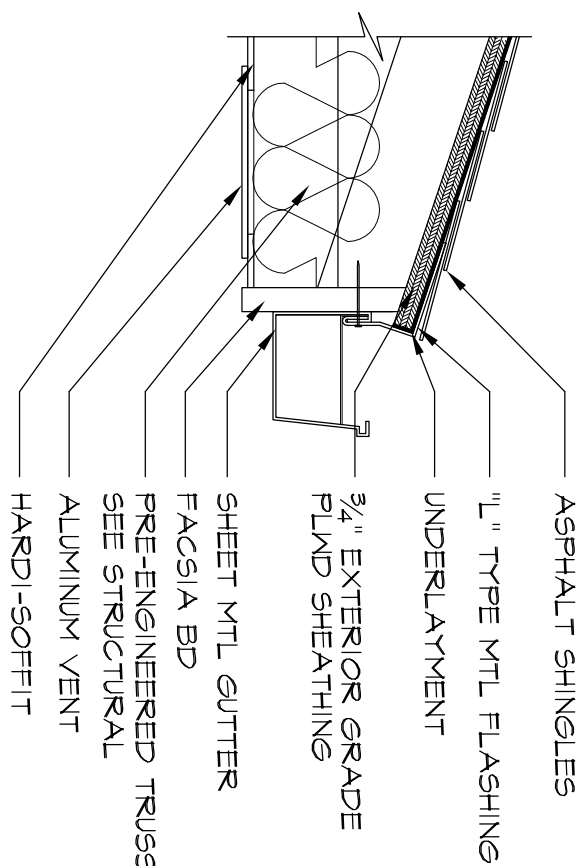
S1 EXTERIOR DOOR SILL  
SCALE: 1/12" = 1'-0"



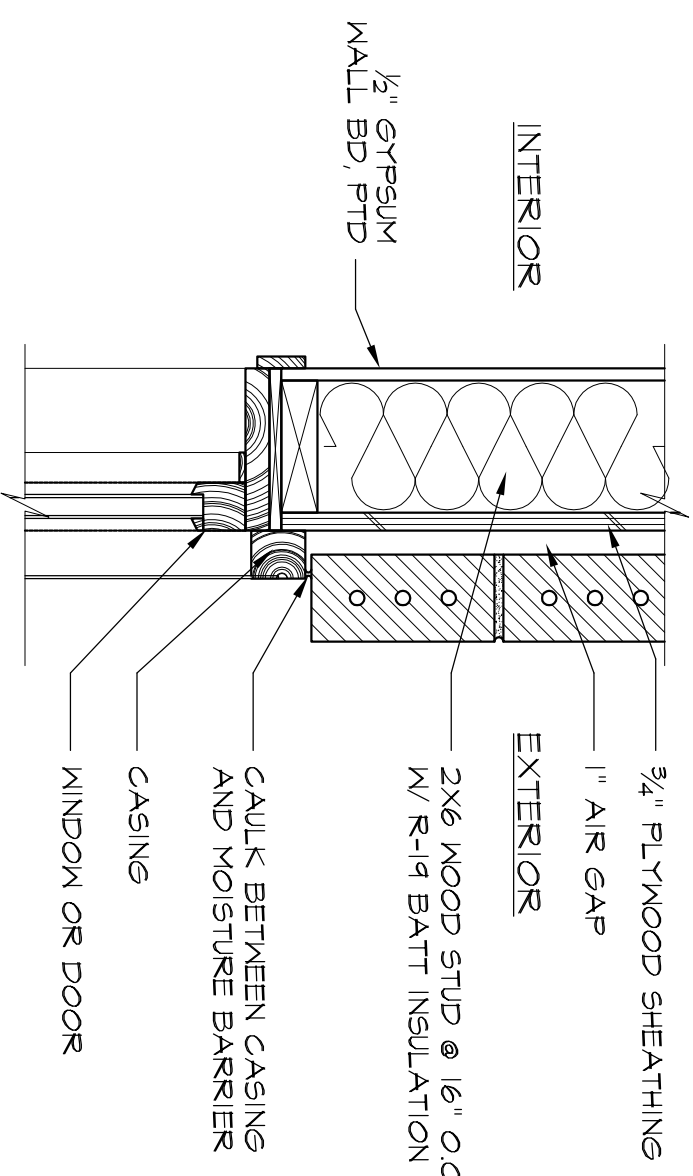
S2 EXTERIOR DOOR SILL  
SCALE: 1/12" = 1'-0"



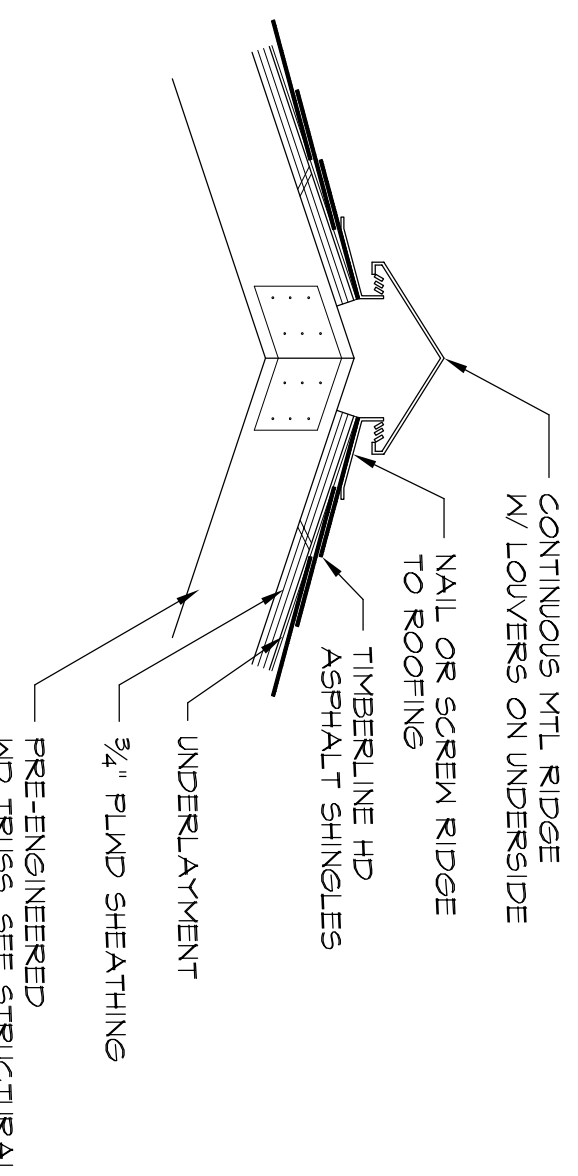
2 VESTIBULE WALL DETAIL  
SCALE: 1/12" = 1'-0"



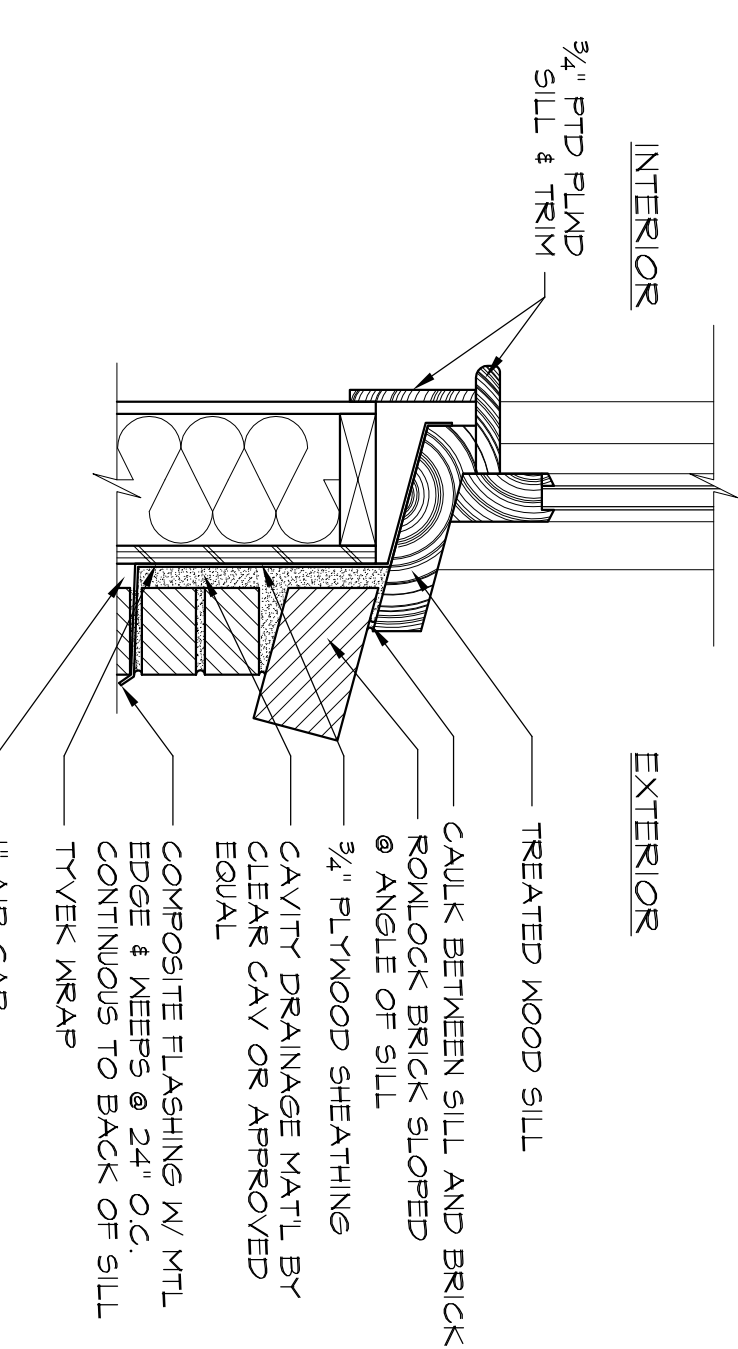
4 EAVE FLASHING DETAIL  
SCALE: 1/12" = 1'-0"



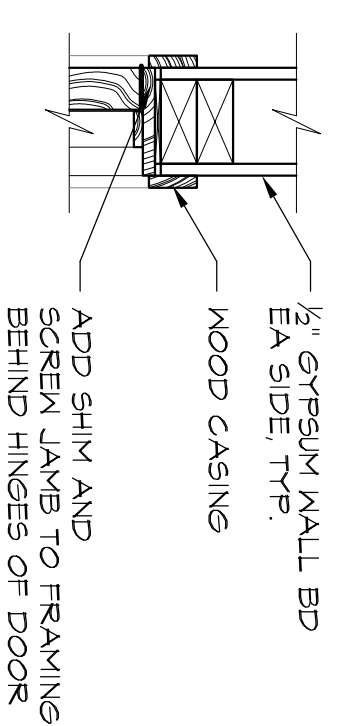
J1 EXTERIOR WINDOW / DOOR JAMB  
SCALE: 1/12" = 1'-0"



5 RIDGE VENT DETAIL  
SCALE: 1/12" = 1'-0"



S3 EXTERIOR WINDOW SILL  
SCALE: 1/12" = 1'-0"



J2 EXTERIOR WINDOW / DOOR HEAD  
SCALE: 1/12" = 1'-0"



THE ADAMS DESIGN GROUP  
4401 WALTER AVENUE  
BALTIMORE, MARYLAND 21214  
PH (410) 444-4767  
FX (410) 254-0025  
WWW.THE-ADG.COM

SEAL

CONSULTANTS

CARMAGNO BUILDERS, INC.  
141 ARMAGOST RD  
PARKTON, MD 21202  
410-329-6820  
WWW.CARMAGNOBUILDERS.COM

MINICIN PATRI MILANO, INC.  
6511 HARBOR RD  
BALTIMORE, MD 2124  
410-254-7500  
WWW.MINIPATRI.COM

WILSON DEEGAN & ASSOCIATES, INC.  
2309 BEL AIR RD  
SUITE C  
FALSTON, MD 21047  
410-893-3700

PROJECT

PROPOSED  
OFFICE BUILDING  
6824 EBENEZER ROAD  
CHASE, MARYLAND 21027

URBAN N. ZINK CONTRACTOR, INC.

REVISIONS

REV #	DATE	DESCRIPTION
-	-	-
-	-	-
-	-	-
-	-	-
-	-	-
-	-	-

ISSUED FOR  
 PROGRESS  PERMIT  BIDDING  
 CONSTRUCTION

DETAILS

DESIGNED BY DA  
DRAWN BY AB  
CHECKED BY DA

DATE 02/04/11

SCALE

A601

PROJECT NO. 10-006