

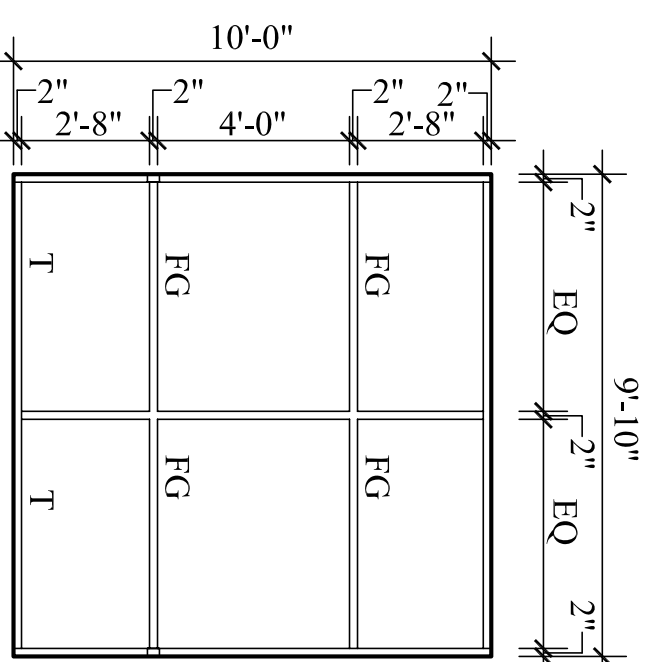
### Key Notes

FG = 1" Insulated Fixed Glass  
T = 1" Insulated Tempered Vision Glass  
All lights(A) are to align with mullions below unless otherwise noted.

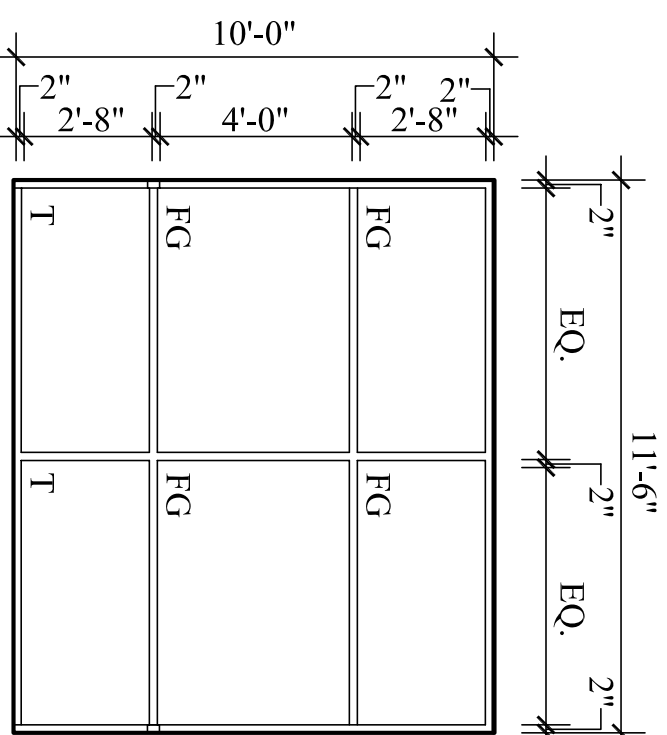
### Lighting Key

A - Exterior Wall Sconce  
B - Rear Hood Light -  
Center of mounting bracket to be 15'-0" AFF Typ

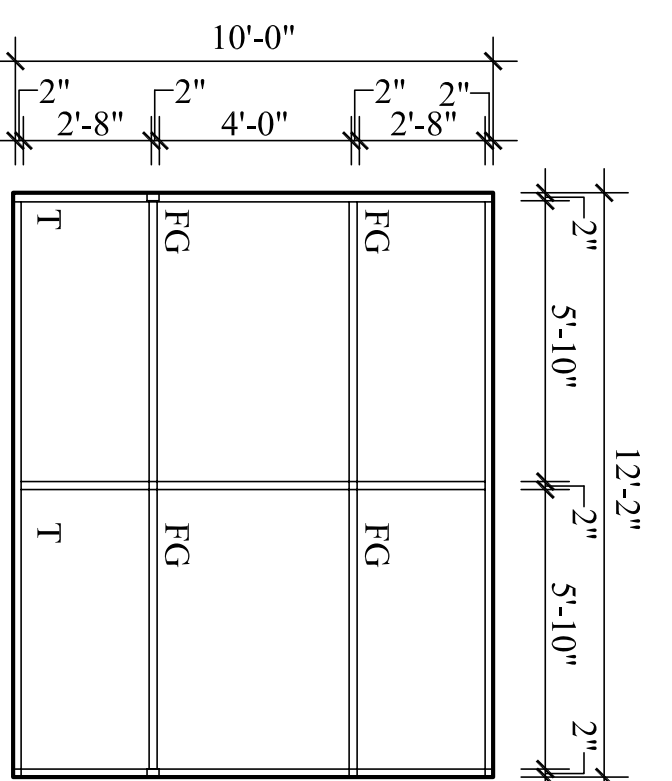
SPLIT FACE-1  
SPLIT FACE-2



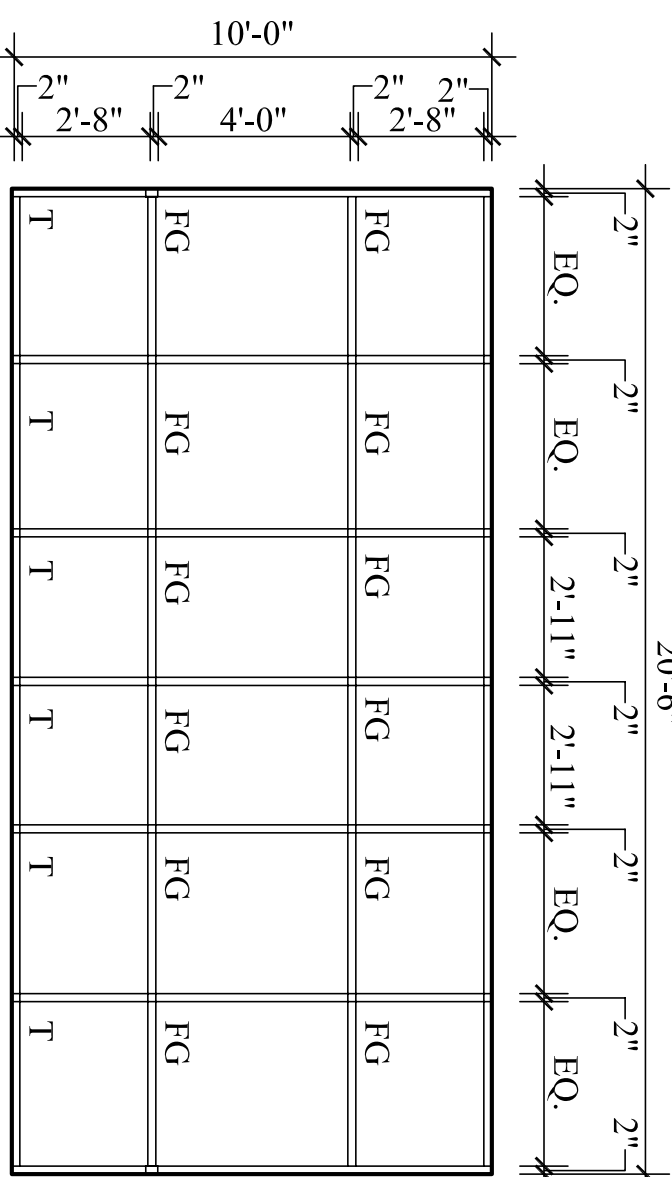
STOREFRONT-A  
SCALE: 1/4" = 1'-0"



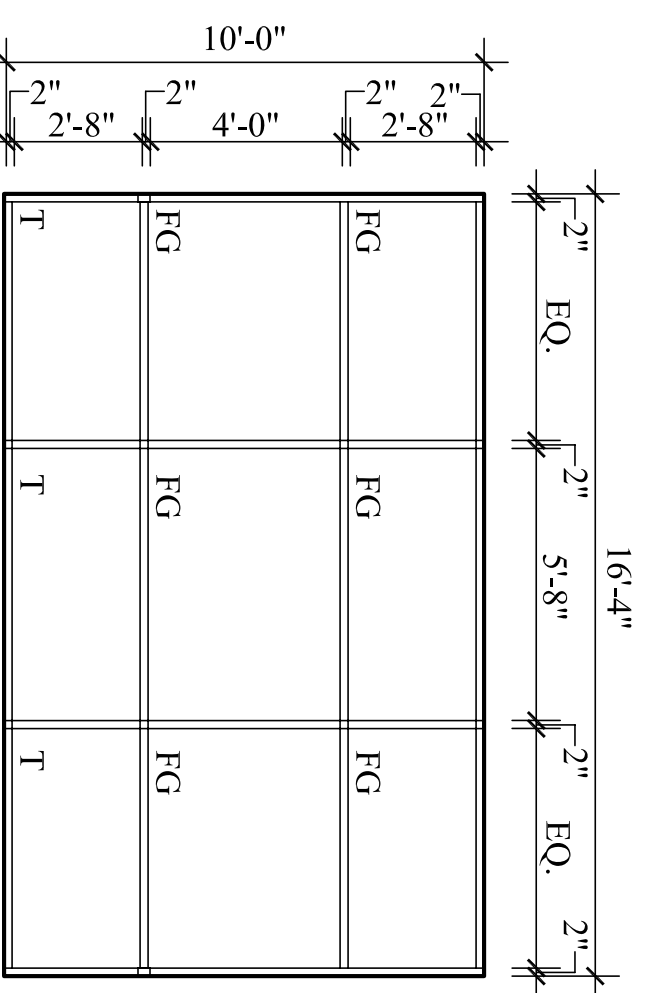
STOREFRONT-B  
SCALE: 1/4" = 1'-0"



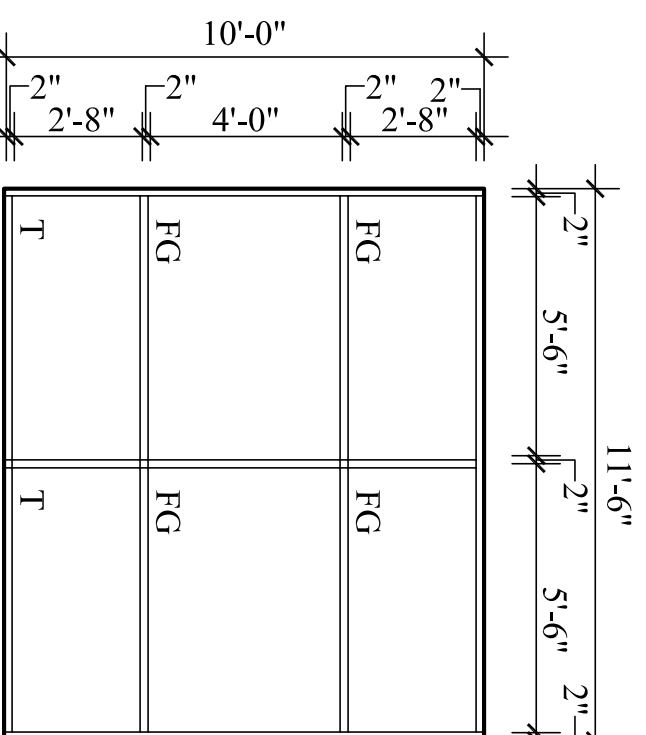
STOREFRONT-C  
SCALE: 1/4" = 1'-0"



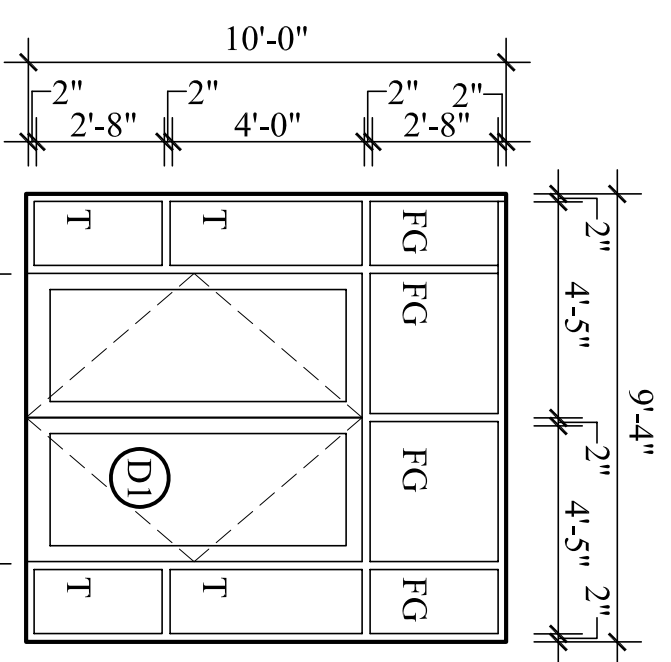
STOREFRONT-D  
SCALE: 1/4" = 1'-0"



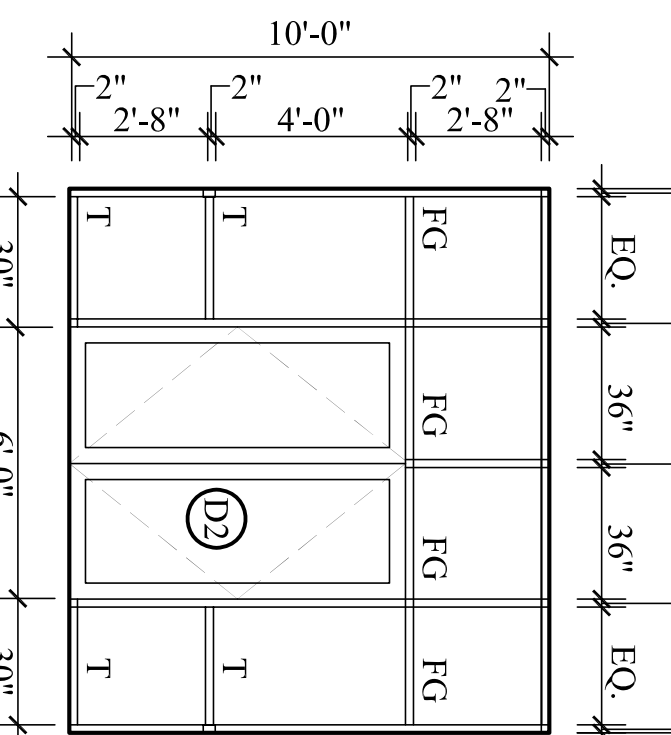
STOREFRONT-E  
SCALE: 1/4" = 1'-0"



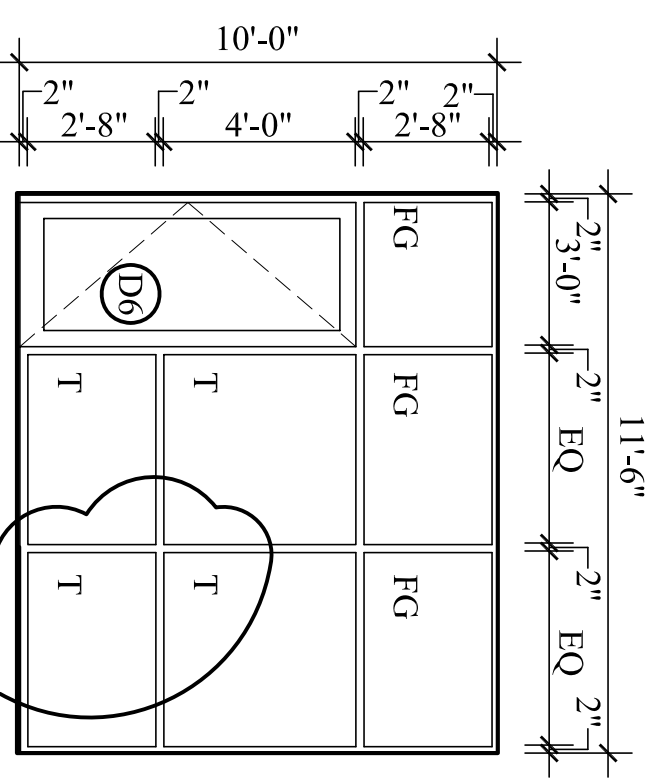
STOREFRONT-F  
SCALE: 1/4" = 1'-0"



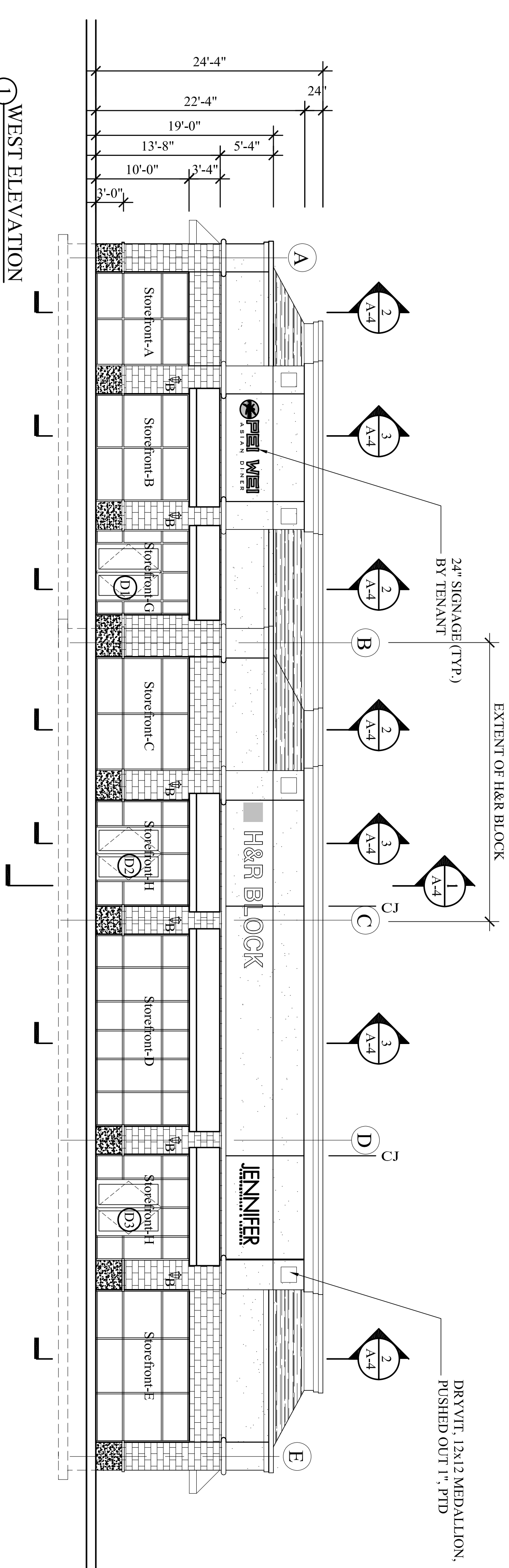
STOREFRONT-G  
SCALE: 1/4" = 1'-0"



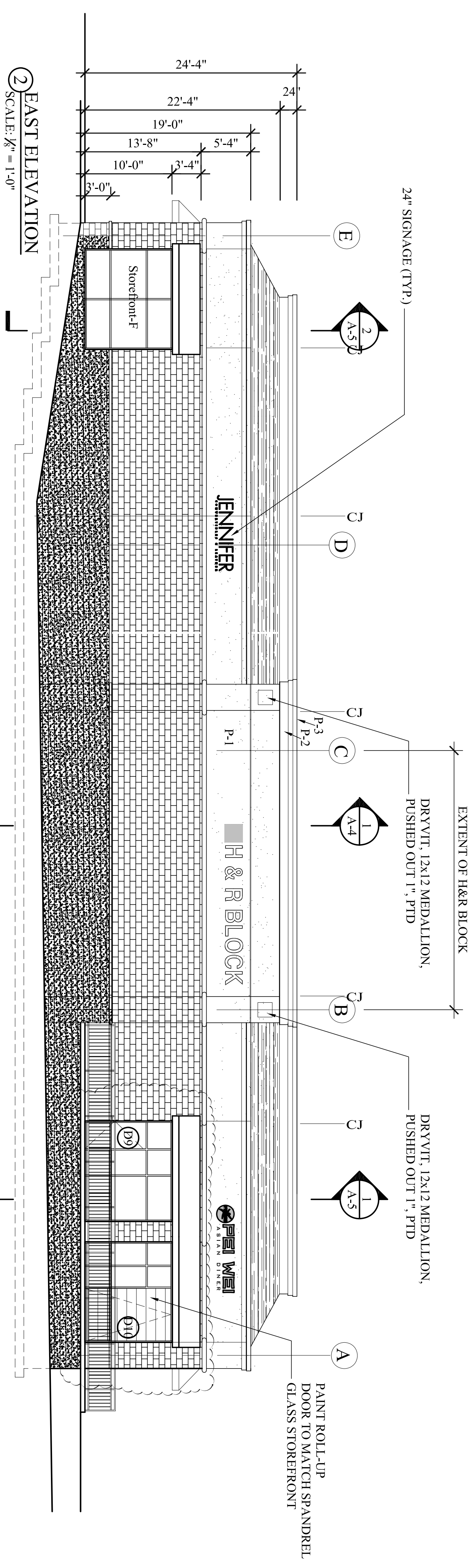
STOREFRONT-H  
SCALE: 1/4" = 1'-0"



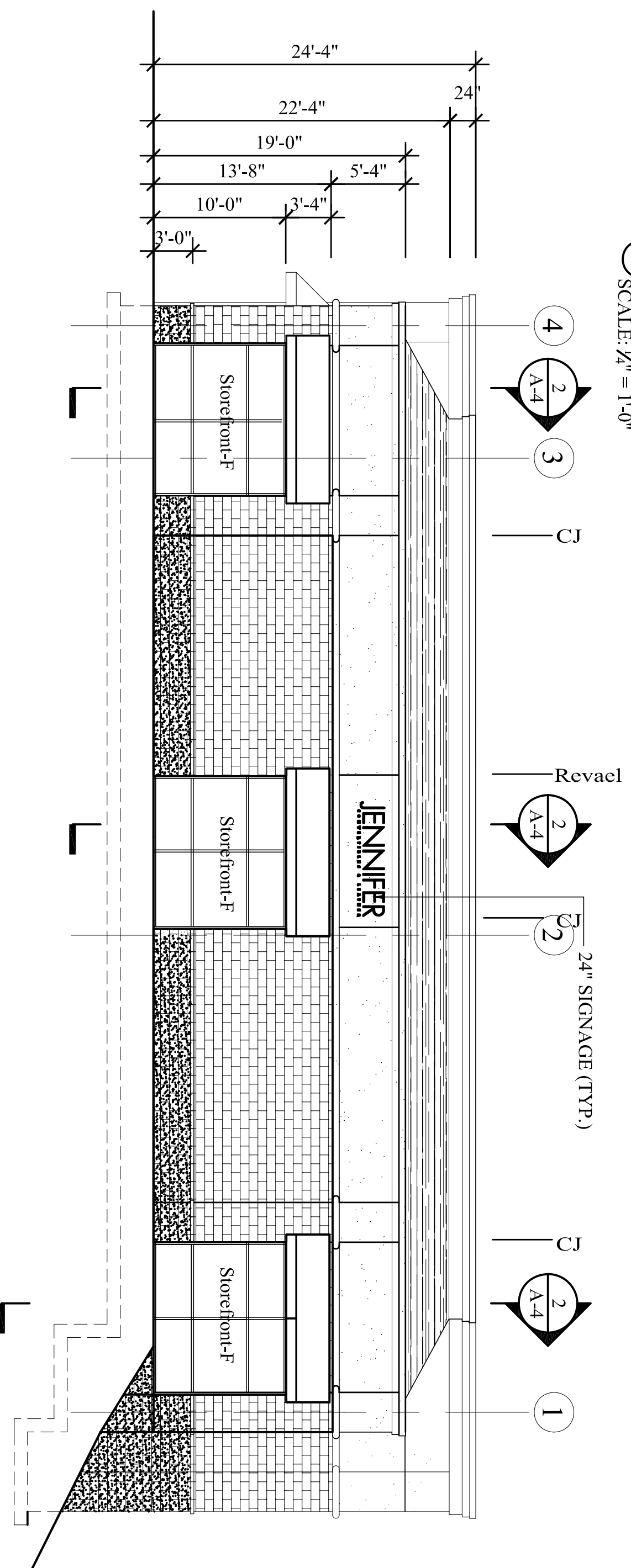
STOREFRONT-I  
SCALE: 1/4" = 1'-0"



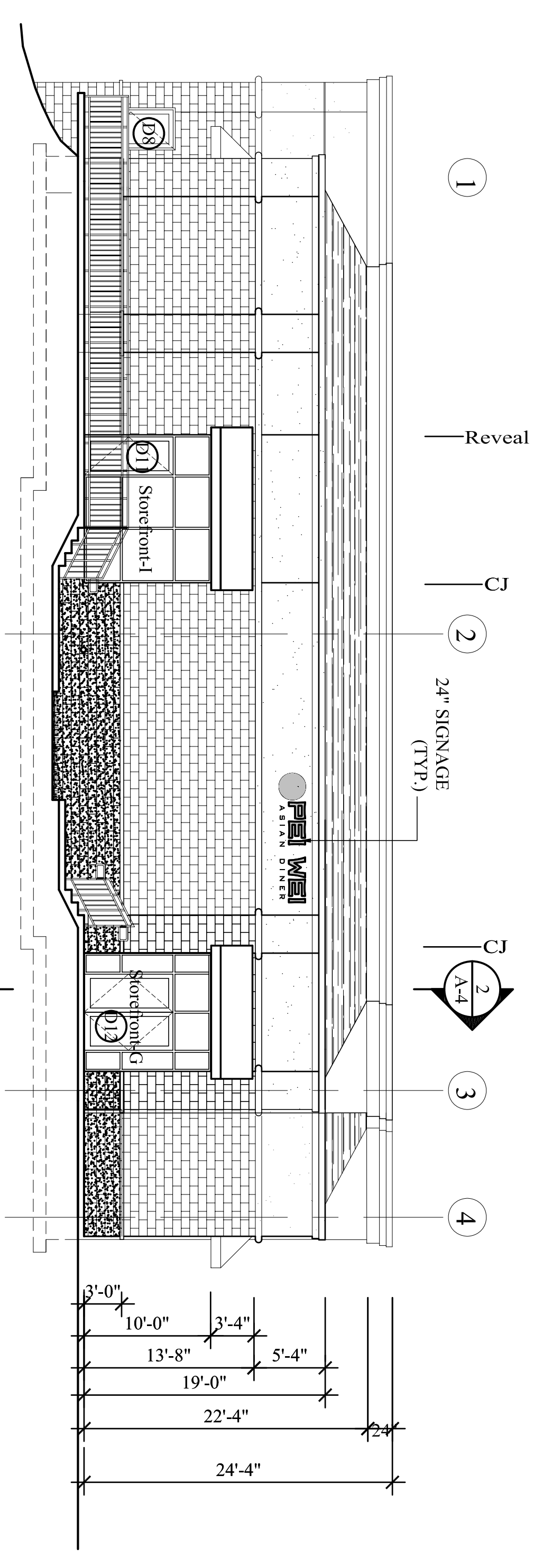
WEST ELEVATION  
SCALE: 1/4" = 1'-0"



EAST ELEVATION  
SCALE: 1/4" = 1'-0"



NORTH ELEVATION  
SCALE: 1/4" = 1'-0"



SOUTH ELEVATION  
SCALE: 1/4" = 1'-0"

Notes  
Consultants  
META ENGINEERS, INC.  
1515 Wilson Blvd.  
Arlington, VA 22209  
(703) 224-1188  
metaengineers.com

COLUMBIA ENGINEERING INC.  
6470 Dobbin Road  
Columbia, MD 21045  
(410) 992-9970  
columbiacengineering.com

THE SHOPPES at  
DOBBIN CORNER  
6478 DOBBIN CENTER WAY  
COLUMBIA, MD

NEW RETAIL BUILDING

DOBBIN CENTER LTD.

Drawing Title  
ELEVATIONS

Date	Issue
07-01-2004	REVIEW
08-17-2004	REVIEW
11-19-2004	MEP ISSUE-Prelim
12-11-2004	Contractor Bid
12-30-2004	PERMIT ISSUE
03-22-2005	CLIENT COMMENTS
04-18-2005	CLIENT COORD.
05-10-2005	CLIENT COMMENTS

Dwn By: ALB  
Chkd By: MG  
Job No.: